

INTRODUCTION

myPCLab is a very compact Data Acquisition tool which connects to a PC via a USB port and monitors two universal analogue inputs variables along with one digital input. From hobbyists to scientists, from simple technical tasks to complex engineering activities, **myPCLab** can be an invaluable tool for on-line monitoring and data logging in school, laboratory research, machine data recording and industrial understanding.

It comes with an intuitive and easy-to-use Windows software which plots and records data, shows gauges, bargraphs and digital readouts. The USB port is accessed as a virtual serial port which makes **myPCLab** compatible with any SCADA softwares with Modbus RTU driver or with any program with ASCII serial communication. Multiple units of **myPCLab** can be connected to the same computer.



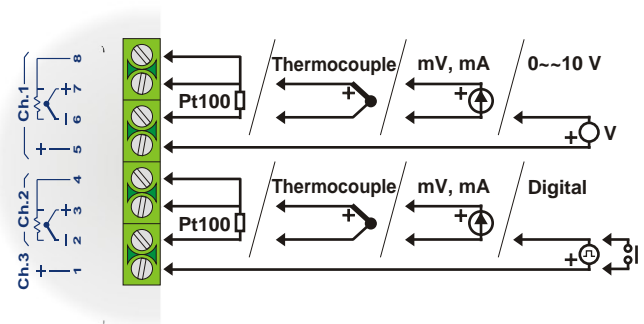
CHARACTERISTICS & SPECIFICATIONS

- Dual universal type analogue inputs.
- One digital input.
- Internal temperature sensor for cold junction compensation or room temperature monitoring.
- Programmable analogue inputs: Thermocouples type J, K, T, E, N, R, S and B, Pt100 RTD (3-wire), 4-20 mA, 0-50 mVdc or 0-10 Vdc.
- Accuracy: 0.2% of full scale for Pt100, current and voltage; 0.25% of FS $\pm 3^{\circ}\text{C}$ for thermocouples type R, S and B; 0.25% $\pm 1^{\circ}\text{C}$ for all other thermocouples; $\pm 1,5^{\circ}\text{C}$ for internal temperature sensor.
- Sampling rate: 8 to 128 samples per second, depending on the A/D resolution.
- A/D resolution: programmable from 15 to 11 bits, depending on the sampling rate.
- Automatic cold junction compensation for thermocouples.
- Cable resistance compensation for Pt100.
- Digital input for dry contact or voltage level.
- Computer interface: USB V1.1 Plug and Play, Virtual Serial Port driver.
- USB connector: type Mini-B. Comes with a 1.5 m cable with plugs Mini-B and A.
- Double communication protocol: ASCII & Modbus RTU.
- Powered by the USB bus.
- Consumption: <100 mA.
- Free Windows software provides configuration, visualization, recording and data export. Provides simultaneous communication with multiple **myPCLab** devices.
- Data export formats: txt, xls, rtf, pdf, html, xml, dbf, csv.
- Compatible with Windows 2000, XP and up.
- Operating environment: 0 to 50°C, 10 to 90% relative humidity, non-condensing.
- ABS case, dimensions: 70 x 60 x 18 mm.

SOFTWARE



ELECTRICAL CONNECTIONS



DIMENSIONS

