

DigiRail-VA

INSTRUCTION MANUAL - V1.0x B

MAIN FEATURES	2
SPECIFICATIONS	3
INSTALLATION AND OPERATION	4
MECHANICAL INSTALLATION.....	4
DIMENSIONS	4
ELECTRICAL INSTALLATIONS AND OPERATION	4
INSTALLATION RECOMMENDATIONS	5
POWER SUPPLY	5
RS485.....	5
USB INTERFACE	5
AC INPUTS.....	6
USING CURRENT TRANSFORMERS AND VOLTAGE TRANSFORMERS	7
MEASUREMENT OF FREQUENCY AND POWER FACTOR	8
4-20 MA OUTPUT.....	8
0-10 V OUTPUT.....	9
INDICATOR LIGHTS (LEDS).....	11
USB DRIVER INSTALLATION.....	12
WINDOWS 8	12
DEFINITION AND SELECTION OF SERIAL PORT (COM) - WINDOWS.....	16
CONFIGURATION SOFTWARE	17
EQUIPMENT SOFTWARE (FIRMWARE) UPDATE	17
MODBUS COMMANDS AND REGISTERS TABLE.....	18
SUPPORTED MODBUS COMMANDS	18
READ HOLDING REGISTERS – 03H	18
WRITE SINGLE REGISTER – 06H	18
WRITE MULTIPLE REGISTERS – 16H.....	18
TABLE OF HOLDING REGISTERS	18
DETAILS ABOUT SOME REGISTERS.....	18
REGISTERS 20 TO 28 – MEASUREMENT VALUE IN INTEGER FORMAT	18
REGISTERS 200 AND 201 – SERIAL NUMBER.....	19
REGISTER 202 – FIRMWARE VERSION	19
FLOATING POINT FORMAT.....	19
WARRANTY.....	20

MAIN FEATURES

The **DigiRail-VA** is a transmitter and signal conditioner related to alternating current (single-phase), capable of measuring the following quantities on the **True- RMS**:

- Voltage
- Current
- Active, reactive and apparent power
- Frequency
- Power Factor

The measured values can be read through its RS485/Modbus RTU interface, in addition to being transmitted simultaneously using the 4-20 mA or 0-10 V outputs.

These features make the **DigiRail-VA** a great solution for measuring AC values in single-phase machines and facilities.



This product is not intended for commercial measurement of electrical energy!

SPECIFICATIONS

Power Supply: 10 to 40 Vdc. Typical consumption: 50 mA @ 24 V.

Operation Temperature: 0 to 60 °C.

Dimensions: 99.5 x 114.0 x 17.5 mm

Weight: 96 g

Enclosure: PA66, with metallic attachment for 35 mm DIN track.

Internal protection against polarity inversion of the power supply voltage.

Wire gauge: AWG 28 to 12.

Recommended torque: 4 kgf.cm.

Voltage input range: 0 to 300 Vac (RMS).

Current input range: 0 to 5 Aac (RMS).

Frequency input range: between 45 to 65 Hz.

Analog outputs: 4-20 mA and 0-10 V.

Analog outputs retransmission zoom: 10:1. A bigger zoom is allowed, but with accuracy loss.

RS485 Serial Interface: Modbus RTU Protocol – 3 wires.

The inputs are isolated from the outputs and communication interfaces. Isolation: 2500 Vac / 1 minute.

Accuracy:

- Reading by RS485
 - RMS voltage, RMS current, active power (real), apparent power and reactive power: 0.25% (True- RMS).
 - Power factor and frequency: 0.5 %.
- Reading by the 4-20 mA output
 - RMS voltage, RMS current, active power (real), apparent power and reactive power: 0.5% (True- RMS).
 - Power factor and frequency: 1.0 %.
- Reading by the 0-10 V output
 - RMS voltage, RMS current, active power (real), apparent power and reactive power: 0.5% (True- RMS).
 - Power factor and frequency: 1.0 %.

INSTALLATION AND OPERATION

MECHANICAL INSTALLATION

The **DigiRail-VA** housing was designed for installation on DIN rail 35 mm.

For installation on the rail, you should locate the clamp at the base and press it against the track.

DIMENSIONS

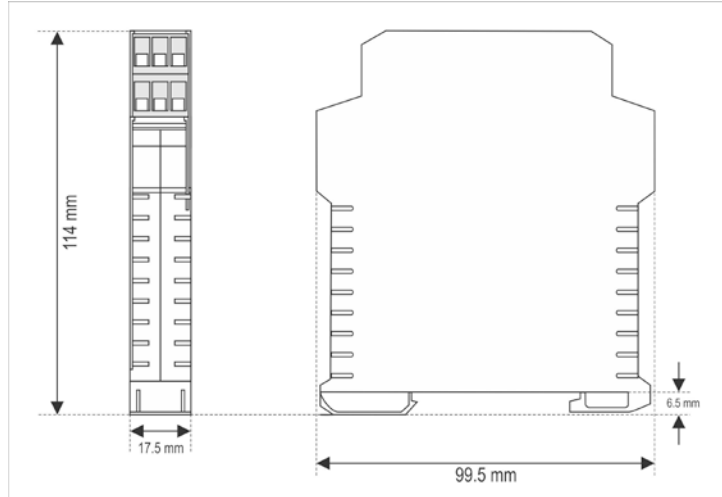


Fig. 01 – Dimensions of the **DigiRail-VA**

ELECTRICAL INSTALLATIONS AND OPERATION

The **DigiRail-VA** has connectors for the power supply, for the inputs for AC measurement, for the output for analog transmission and for the RS485 serial communication interface. Furthermore, it has a USB mini-B interface.

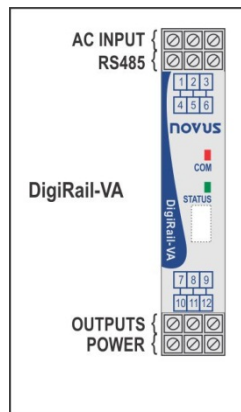


Fig. 02 - Connection terminals of **DigiRail-VA**.

Fig. 03 illustrates the electrical connection terminals. Terminals 4, 5 and 6 connect to the RS485/Modbus interface. Terminals 7, 8 and 9 are intended for the analog outputs of the device (4-20 mA and 0-10 V – they share the same "negative" terminal). Terminals 10, 11 and 12 are used to power the **DigiRail-VA** (terminals 10 and 11 are interconnected internally).

Terminals 1, 2 and 3 are used for AC measurements and must be connected carefully. Refer to "AC Inputs" section for connection details.

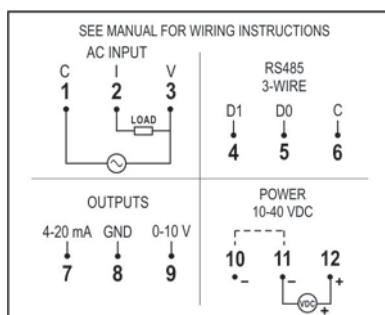



Fig. 03 – Electrical connections of the **DigiRail-VA**

INSTALLATION RECOMMENDATIONS

	We recommend using an appropriate fuse for the protection of the load to be measured.
---	---

- Input conductors should travel the system plant separately from the output and supply conductors, in grounded electrical ducts.
- The power source of the instruments should come from a network that is appropriate for the instrumentation.
- The use of RC FILTERS (47 Ω and 100 nF, in series) parallel to the contactor coils and solenoids that are near or connected to the equipment is recommended.
- In control applications, it is essential to consider what can happen when any part of the system fails.
- Section of used wires: minimum gauge of 0,14 mm².

POWER SUPPLY

The terminals 11 and 12 (or 10 and 12) are intended for the power supply for **DigiRail-VA**. The polarity of the power supply must be carefully observed and the voltage level.

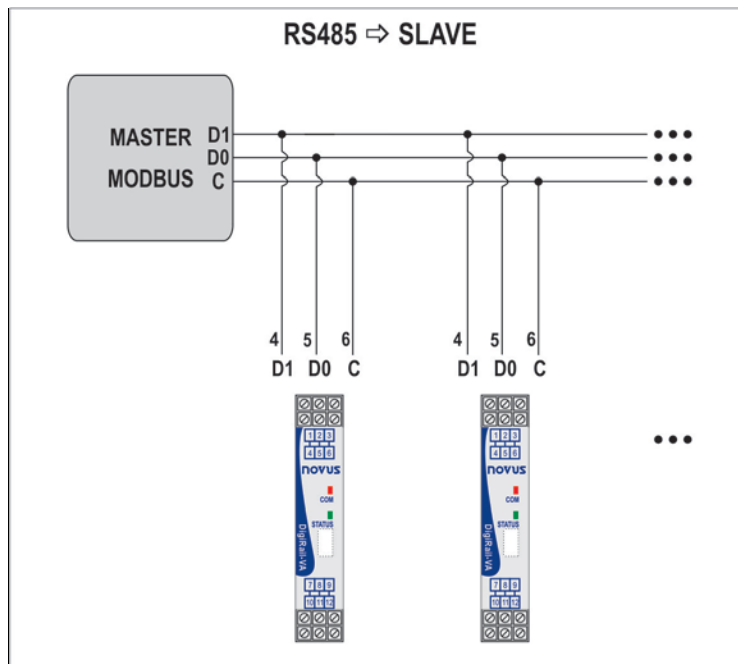
RS485

The RS485 interface of **DigiRail-VA** has terminals for 3-wire communication (including the common) and operates as a Modbus RTU slave. The commands and the table of available registers can be viewed in the "Modbus Commands and Register's Table".

This interface can be configured to operate in the following baudrate: 1200, 2400, 4800, 9600, 19200, 38400, 57600 and 115200. In addition, it can be configured to operate with one or two stop bits, and parity even, odd or none.

More details on the implementation of a Modbus network via RS485 can be found in "Basic Concepts of RS485 and RS422"; available on the CD that accompanies the product.

D1	D	D+	B	Two way data line.	Terminal 4
D0	D	D-	A	Inverted two way data line.	Terminal 5
C				Optional connection that improves the communication performance.	Terminal 6
GND					



USB INTERFACE

The **DigiRail-VA** has a USB device interface, used for configuration and monitoring. The *Windows*® operating system will detect the device as a virtual serial port, allowing the use for supervisory software (SCADA).

To access this interface should be use the USB cable supplied with the equipment. When you first access, you need to install the USB drivers on the computer. To see how to do this, see "Installing the USB Driver" section.

The communication of this interface is by the Modbus RTU protocol. The commands and the table of available registers of this interface can be viewed in the "Modbus Commands and Register's Table".

AC INPUTS

The measurement circuit is electrically isolated from the rest of the equipment (power circuits and interfaces). However, great care must be taken with electrical wiring connections (see section "Electrical Installation"). Take care to comply with the maximum voltage and current set (see "Technical Specifications"). To measure higher voltages or current levels to be measured, you should use current or voltage transformers (see section "Using current transformers and voltage transformers").

TERMINAL	1	2	3
SIGN	COMMOM	I	V

The current measurement is done by an internal shunt resistor, so that the *DigiRail-VA* is connected in series with the load to be measured. The following figure illustrates the device connected to the measuring circuit.

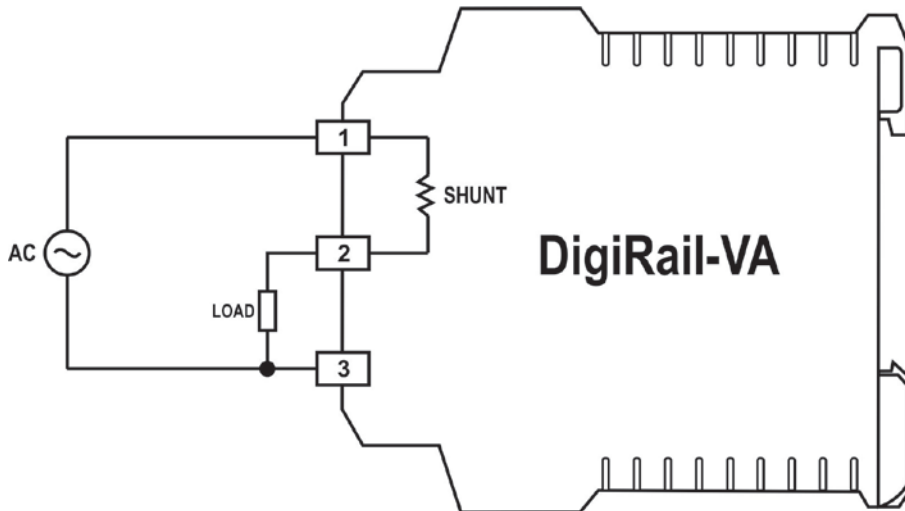


Fig. 04 – Measurement of voltage and current

Despite being common simultaneous measurement of voltage and current, you can connect just the part on the voltage or current for measurement. In such cases, the measurement of the variable not connected will present value near zero as the calculated values of the side variables (power and power factor). The figures below illustrate the connections in these cases.

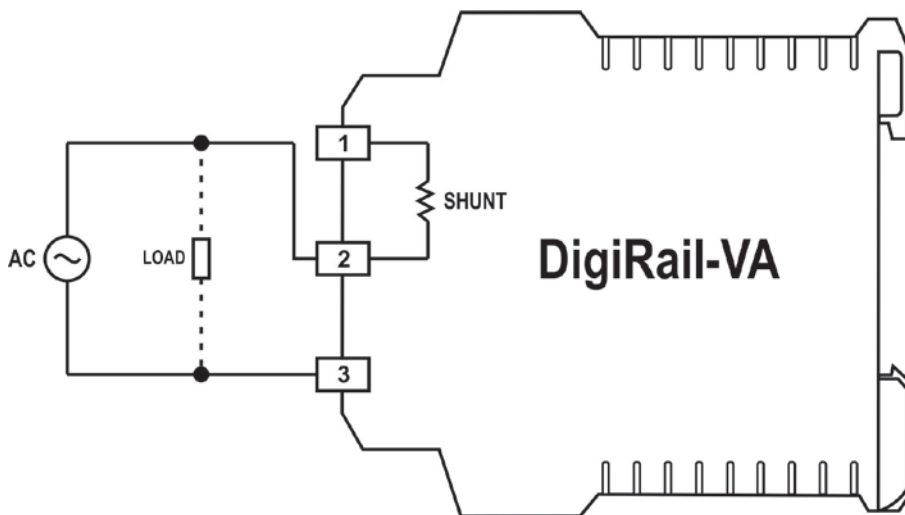


Fig. 05 – Solely measurement of voltage

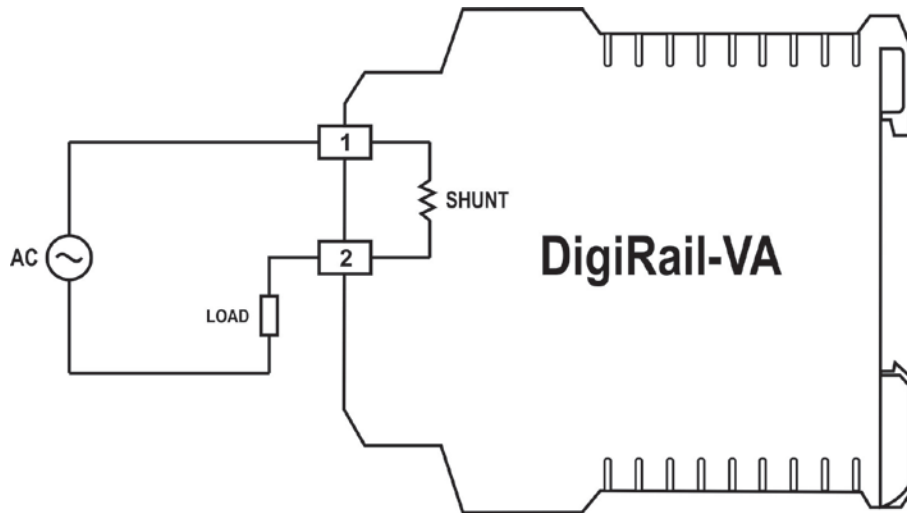


Fig. 06 – Solely measurement of current

USING CURRENT TRANSFORMERS AND VOLTAGE TRANSFORMERS

To expand the capacity of measuring levels of current or voltage *DigiRail-VA*, you can use voltage and/or current transformers.

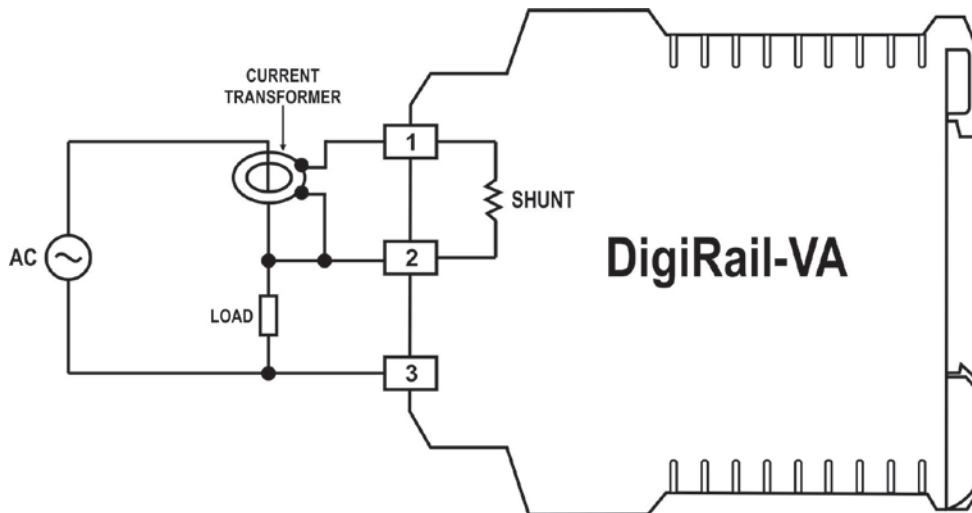


Fig. 07 – Connecting with current transformer

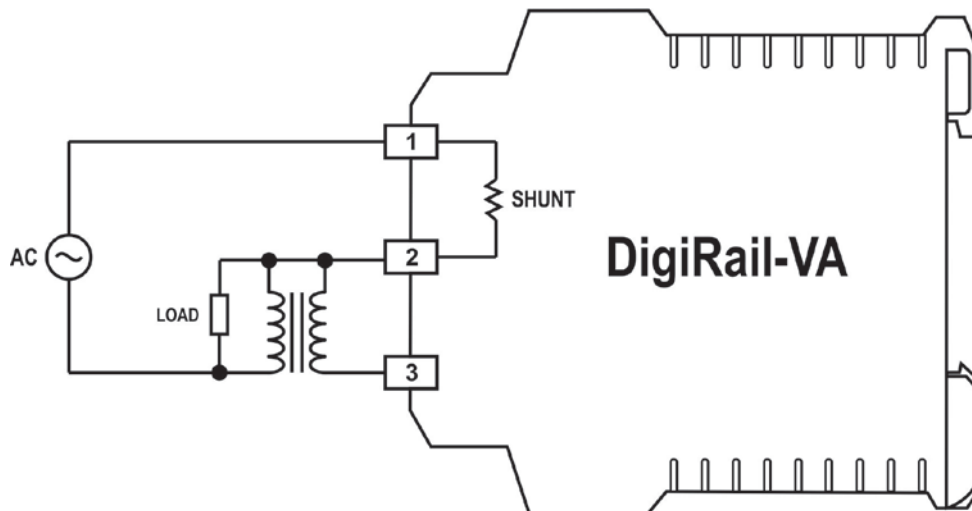


Fig. 08 – Connection with voltage transformer

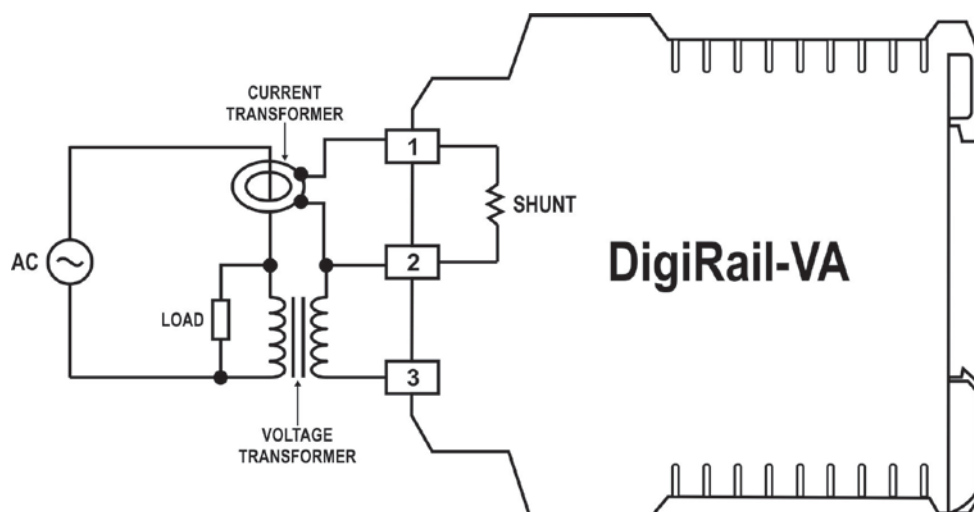


Fig. 09 – Connection with current and voltage transformers.

In any of the cases, the maximum limits of the equipment must be respected, that is, the use of a current transformer requires that it has a maximum output of 5 A and the use of a voltage transformer requires it to have an output maximum of 300 V.

Phase inversion can generate a considerable error on some measurements. In order to avoid that, some care must be taken when using current or voltage transformers so their polarity should keep the signal with its same original phase.

The transformer ratio should be informed in **DigiRail-VA** settings so you can make the correction of the measured value, adjusting to reality. Similarly, if the use of a transformer produces a phase shift between current and voltage in the secondary, can be corrected through the option "Allow the Correction of Phase" in the "Diagnostics" tab for DigiConfig.

Example 1: Using a voltage transformer with 1000 V input and 300 V output.

In this case, you must inform on DigiConfig that be used a voltage transformer, selecting the appropriate box. You must then inform the transformation ratio (in = 1000 V, out = 300 V).

Example 2: Using a current transformer with 50 A input and 4 A output.

In this case, you must inform on DigiConfig that be used a current transformer, selecting the appropriate box. You must then inform the transformation ratio. As the input range is 0 to 5 A, and in this example the current transformer to be used does not match the specification, adjust the parameter of the input current of the current transformer, so that the ratio transformation is maintained.

$$50 / 4 = 12,5$$

$$12.5 \times 5 = 62.5 \rightarrow \text{Input} = 62,5 \text{ A}$$

MEASUREMENT OF FREQUENCY AND POWER FACTOR

The frequency measurement is performed by the voltage input. In case the voltage value is close to zero, the frequency calculation may be inaccurate and wrong values may happen. That is why the **DigiRail-VA** inhibits the frequency measurement when voltage is near zero, typically below 0.5% of full scale. The inhibition of the frequency measurement, indicated as "0 Hz", also happens when it is not performing the voltage measurement, as in the case shown in **Fig 06**.

Measurement of power factor there need voltage and current being measured by **DigiRail-VA**, it is a calculated value based on the phase shift of these two quantities. If one of the values of the voltage or current is near zero, the calculated value of power factor may result in wrong values. That is why the **DigiRail-VA** inhibits power factor measurement when the voltage or current showing very small values, typically 0.1 % of full scale. This inhibition of measuring power factor, denoted as "0", also happens when it is not performing the measurement of voltage or current, as in the cases illustrated in **Fig. 06** or **05**.

4-20 mA OUTPUT

The 4-20 mA output can be used to transmit any of the measures in the AC input:

- RMS Voltage
- RMS Current
- Active Power
- Apparent Power
- Reactive Power
- Power Factor
- Frequency

This output can be disabled if necessary.

Transmission is based on the full scale of the desired variable (e.g. 0 to 300 V for the rms voltage) or based on a reduced scale (e.g. transmit a value of rms voltage on the range from 80 to 140 V, where 80 V corresponds to 4 mA and 140 V to 20 mA).

Finally, you can select the behavior of the 4-20 mA output in case of error: current lower than 4 mA or higher than 20 mA.

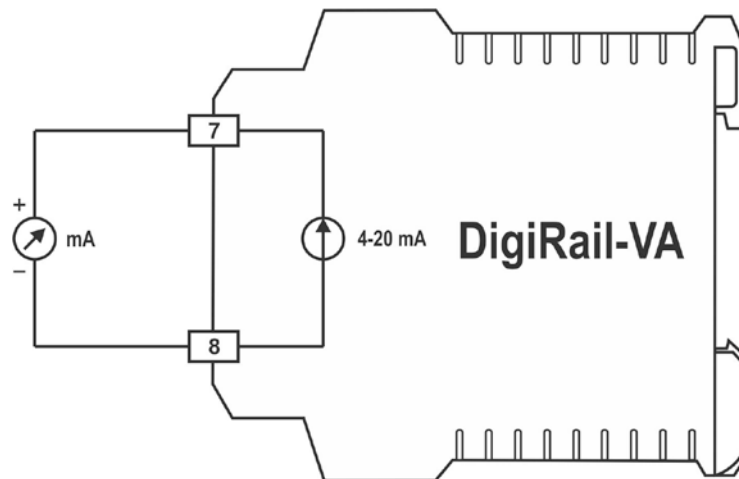



Fig. 10 – Connecting the 4-20 mA loop output.

	<p>The 4-20 mA output is NOT isolated from the 0-10 V output, as they are interconnected through the "negative" pole. In addition, this conductor is also connected to the negative of the power source!</p> <p>Therefore, care must be taken when using the outputs 4-20 mA and 0-10 V to send signals to other devices that are powered by the same source than the <i>DigiRail-VA</i>.</p> <p>If outputs 4-20 mA and 0-10 V are used simultaneously there may be problems if both are read by another computer that has no they own isolated inputs.</p>
---	--

0-10 V OUTPUT

The 0-10 V output can be used to transmit any of the measures in the AC input:

- RMS Voltage
- RMS Current
- Active Power
- Apparent Power
- Reactive Power
- Power Factor
- Frequency

This output can be disabled if necessary.

The transmission is based on the full scale of the desired variable (e.g. 0-5 A for the rms current) or based on a reduced scale (e.g. transmit a current effective value of range of 0.5 to 3 A, where 0.5 A corresponds to 0 V and 3 A corresponds to 10 V).

Finally, you can select the behavior of the output 0-10 V on error: voltage equal to 0 V or exceeding 10 V.

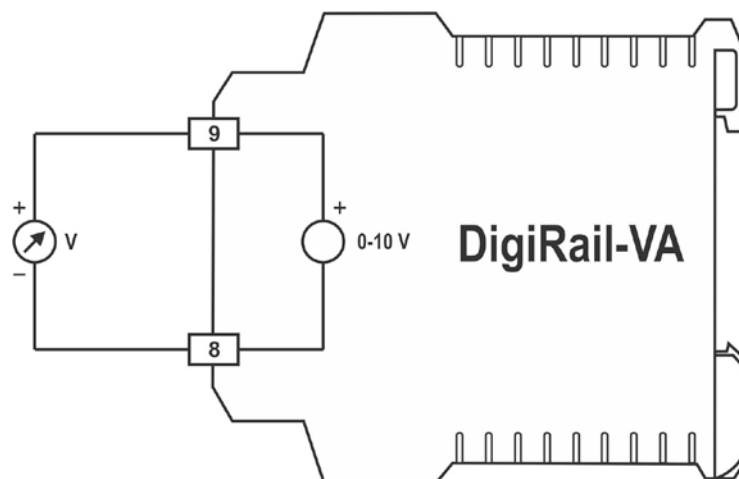


Fig. 11 – Connecting the 0-10 V output



The 0-10 V output is **NOT** isolated from the 4-20 mA output, as they are interconnected through the "negative" pole. In addition, this conductor is also connected to the negative of the power source!

Therefore, care must be taken when using the outputs 4-20 mA and 0-10 V to send signals to other devices that are powered by the same source than the **DigiRail-VA**.

If outputs 4-20 mA and 0-10 V are used simultaneously there may be problems if both are read by another computer that has no they own isolated inputs.

INDICATOR LIGHTS (LEDS)



Status LED: STATUS

It indicates the operational status of the equipment, according to the table shown below.

Led State	Meaning
ON steady	Measuring inputs OK
1 blink every 2 seconds	Voltage input value greater than the range operation
2 blinks every 2 seconds	Voltage input value lower than the range operation
3 blinks every 2 seconds	Current input value greater than the range operation
4 blinks every 2 seconds	Current input value lower than the range operation
5 blinks every 2 seconds	Input frequency out of operating range
OFF	Possible hardware malfunction



Communication LED: COM

It indicates the RS485/Modbus communication. Blinks when the *DigiRail-VA* is sending a Modbus frame via the RS485 interface (in response to a command).

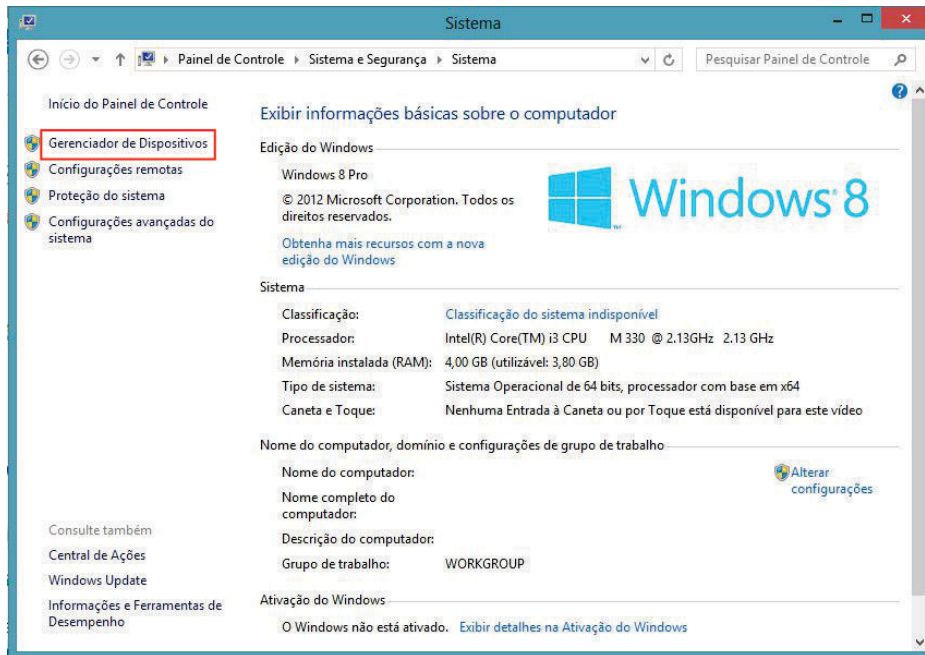
USB DRIVER INSTALLATION

In order to use the USB interface of the **DigiRail-VA** (so you can configure the equipment with the configuration software, for example), it is necessary to install its USB driver. The installation steps can vary from computer to computer, between different operating systems, and even between one version and another of the same operating system.

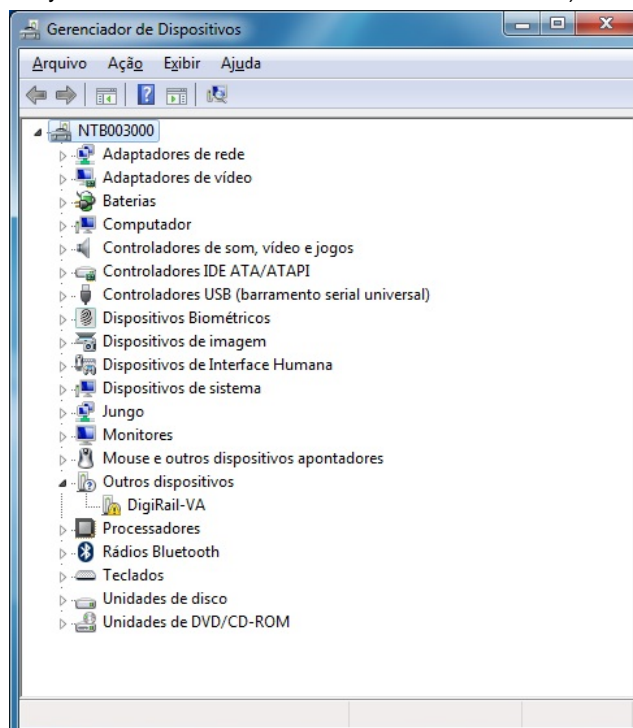
Following are the steps and guidance screens for the driver installation.

WINDOWS 8

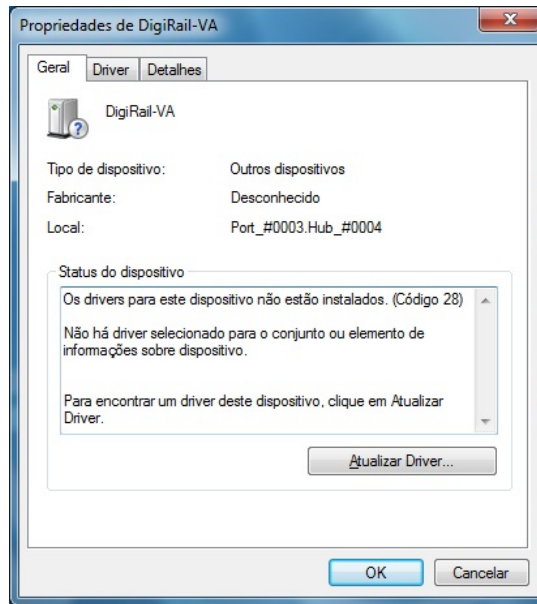
1. Connect the **DigiRail-VA** in a USB port on your computer. Windows will try to install a driver automatically and will not succeed, because the necessary driver is not in its standard library.
2. On Desktop screen, right-click on the left-bottom corner of the screen and choose the "Control Panel" option. Then choose the "System and Security" option, then the "System" option and, at last, "Device Manager".



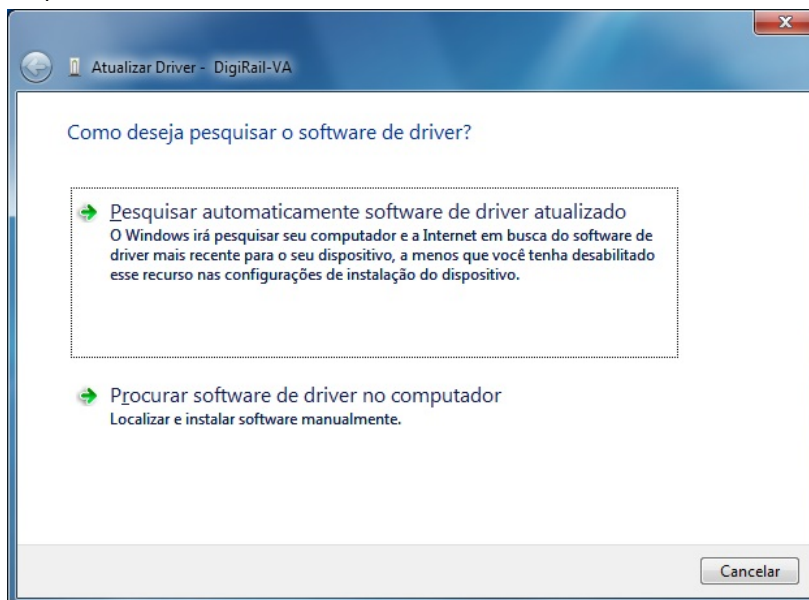
3. Locate the **DigiRail-VA** (probably with an icon with an exclamation mark next to it) and double-click on it.



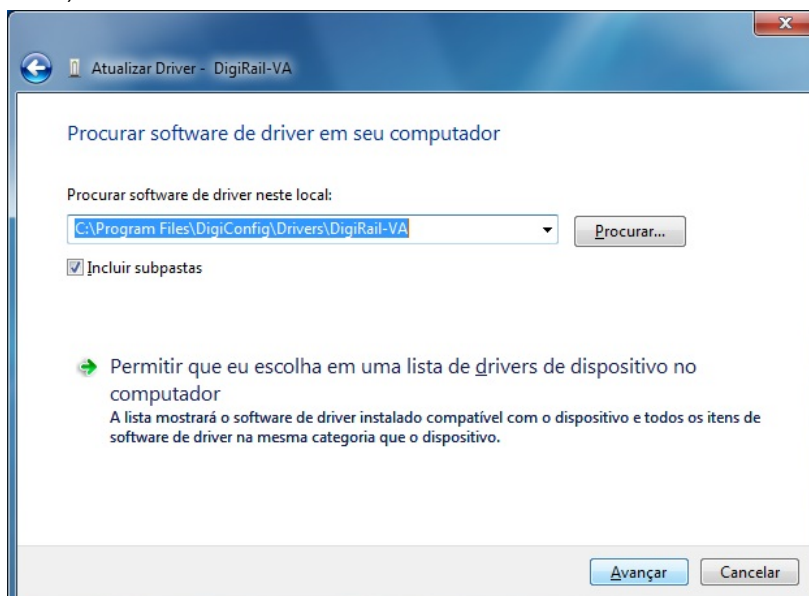
4. Click on the button "Update Driver...".



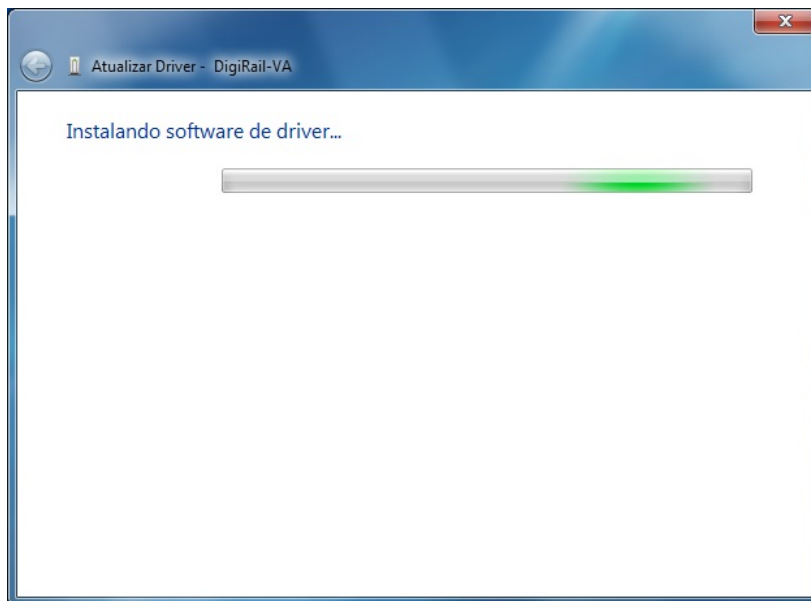
5. Ask to "Browse my computer for driver software".



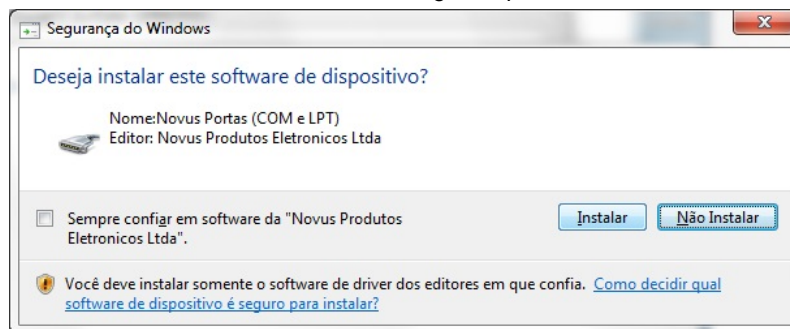
6. Enter the path of the folder where the drivers are located (the product CD or folder where you saved them when downloaded from the site.)



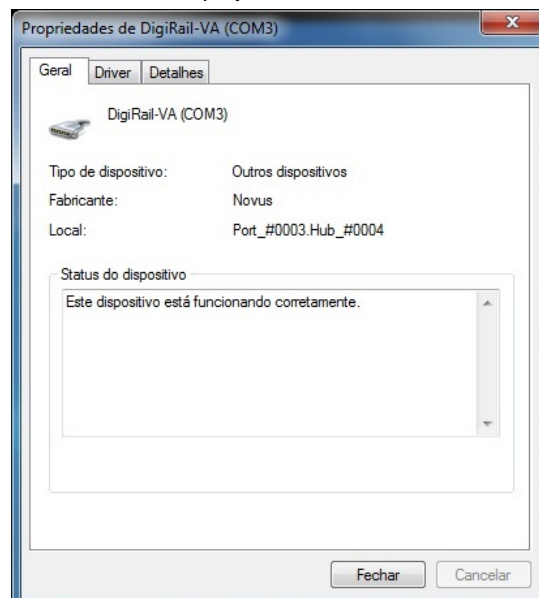
7. Wait for the installation to take start.



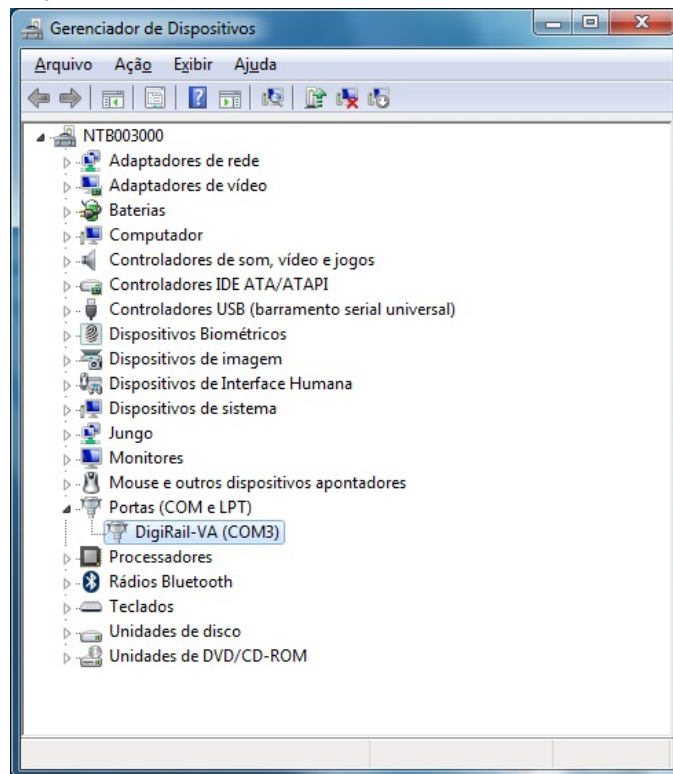
8. Windows will question this driver installation. Confirm selecting the option "Install".



9. A message indicating successful installation will display.



10. Returning to the Device Manager screen, you can check which virtual serial port is allocated to the **DigiRail-VA**.



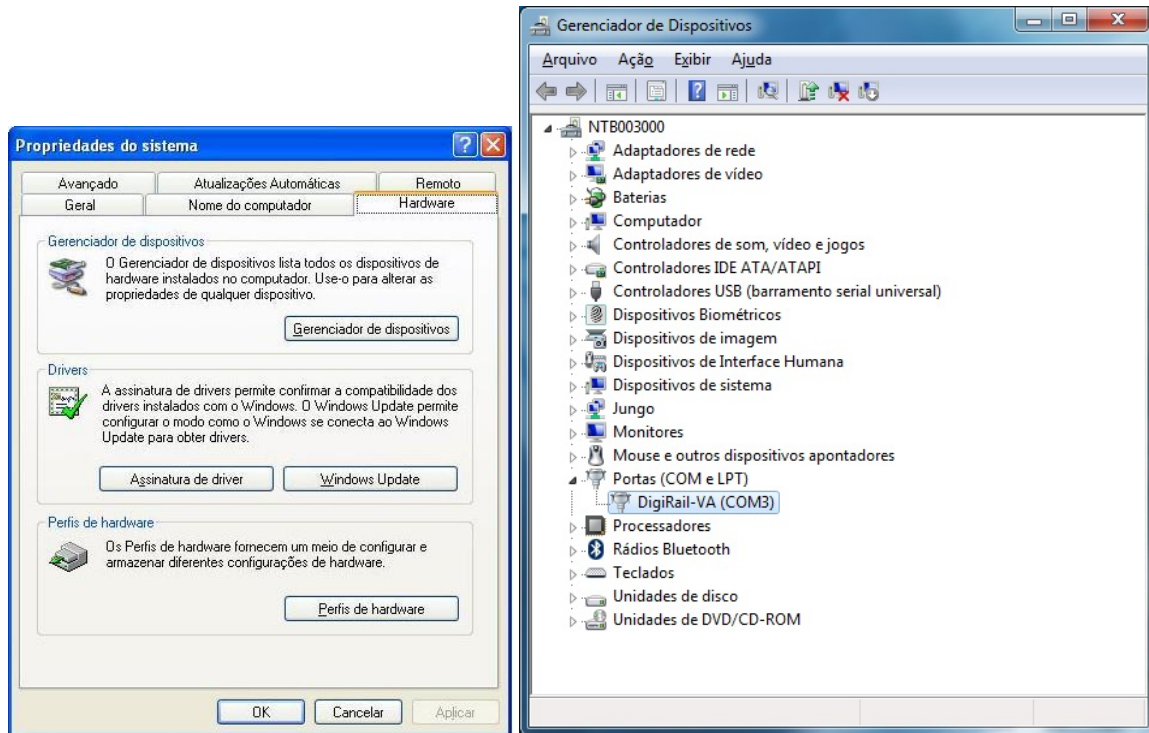
DEFINITION AND SELECTION OF SERIAL PORT (COM) - WINDOWS

The serial port associated with **DigiRail-VA** is automatically defined by the operating system a few moments after connecting the **DigiRail-VA**. The user can easily identify or change the COM port associated with **DigiRail-VA**:

Control Panel / System / Hardware / Device Manager / COM & LPT Ports

Select the device "USB Serial Port" corresponding to the **DigiRail-VA** and click on "Properties". Select "Port Settings" guide and click on "Advanced". In the "COM Port Number", select the serial port to be associated with **DigiRail-VA**. Some serial ports can be checked while being used (In Use). Just select one of these ports if you know that it is not being used by another peripheral device on your computer.

In some cases, the serial ports can be checked as in use even when the associated device is no longer installed on your computer. In this case it is safe to associate this port to **DigiRail-VA**. The following figure presents the view of the device manager containing a **DigiRail-VA**, and the screens showing the property screens where you can reset the associated COM port.



CONFIGURATION SOFTWARE

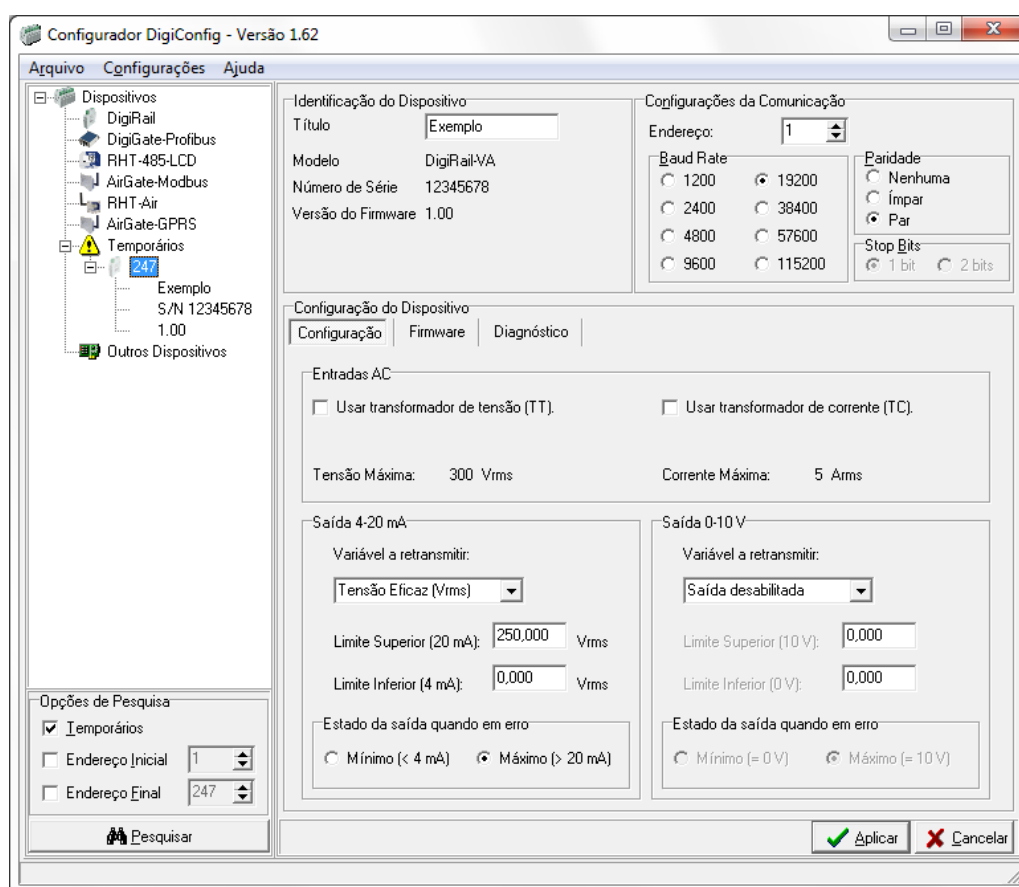
The software used for configuration of the **DigiRail-VA** is the **DigiConfig** (version 1.62 or higher). Besides the configuration, it allows the verification of the input channel Reading and provides status information. This software is supplied for free with the product CD and can also be downloaded at the manufacture's website. Checking for updates from time to time is recommended.

DigiConfig has a full help file with all of the necessary information for its complete usage, including the correct configuration of the product configurations. To consult it, start the application and select the "Help" menu, or press the "F1" key.

To begin configuring the **DigiRail-VA**, connect it to the computer (via USB or RS485) and select the "Communication" option in the "Settings" menu. In the window that appears, select the correct serial port and configure the other communication parameters. After applying the communication configuration, the system will be able to read the configuration **DigiRail-VA** using the "Search" button located at the bottom left corner of the main window. To accelerate the search, use the USB interface and use the option "Temporary". If you are using the RS485 interface and know the equipment Modbus address, select only the "Starting Address" and enter the correct address. Once the equipment is identified, it appears in the list on the left. Clicking on it will make the configuration data displayed on the right.

The configuration of the device is divided by functionality in several tabs. The choice of some options can affect the limitation or absence of other configuration parameters. Last of all, the configuration should be applied to the equipment using the Apply button.

The use of **DigiRail-VA** with full functionality is detailed in the chapter "Installation and Operation".



EQUIPMENT SOFTWARE (FIRMWARE) UPDATE

DigiRail-VA can update its internal software (firmware), allowing the benefits of new versions with new characteristics or important improvements to be accessed without needing to send the equipment to technical assistance.

The latest update is available for download on the manufacturer website. The update process is done by **DigiConfig**, using the related tab.

MODBUS COMMANDS AND REGISTERS TABLE

The **DigiRail-VA** accepts some Modbus commands that are sent to its Modbus' own address, operating as a network slave. Commands forwarded to other slaves (routing) will be sent in a transparent way. The following listed Modbus RTU commands (functions) are implemented, and these are interpreted by **DigiRail-VA**. For further information about each command and the Modbus protocol in general, access the website www.modbus.org.

SUPPORTED MODBUS COMMANDS

READ HOLDING REGISTERS – 03H

This command can be used to read a value of one or up to the maximum consecutive holding registers, as shown in the "Table of Holding Registers".

WRITE SINGLE REGISTER – 06H

This command can be used to write on a holding register, as shown in the "Table of Holding Registers".

WRITE MULTIPLE REGISTERS – 16H

This command can be used to write in multiple holding registers, as shown in the "Table of Holding Registers".

TABLE OF HOLDING REGISTERS

The specified addresses correspond to the low level physical addresses, where zero (0) corresponds to the address PLC 40001. The *Minimum and Maximum* columns have a range of valid values for each parameter. The R/W column indicates if the parameter is for reading and writing (R/W) or if it is only reading ® The *Mnemonic SuperView* states what the register mnemonic is for in the SuperView software.

Address	Description	Minimum	Maximum	R/W	Mnemonic SuperView
0	RMS Voltage (floating point – word high)	0.0	+3.4e+38	R	
1	Voltage RMS (floating point – word low)				
2	Current RMS (floating point – word high)	0.0	+3.4e+38	R	
3	Current RMS (floating point – word low)				
8	Active Power / real power (floating point – word high)	0.0	+3.4e+38	R	
9	Active Power / real power (floating point – word low)				
10	Apparent power (floating point – word high)	0.0	+3.4e+38	R	
11	Apparent power (floating point – word low)				
12	Reactive power (floating point – word high)	0.0	+3.4e+38	R	
13	Reactive power (floating point – word low)				
14	Power factor (floating point – word high)	-1.0		R	
15	Power factor (floating point – word low)				
16	Frequency (floating point – word high)	0.0	+3.4e+38	R	
17	Frequency (floating point – word low)				
20	Voltage RMS x 10 (integer 16 bits unsigned)	0	65535	R	VoltageRMS
21	Current RMS x 100 (integer 16 bits unsigned)	0	65535	R	CurrentRMS
22	Maximum peak voltage x 10 (integer 16 bits unsigned)	0	65535	R	MaxVoltagePeak
23	Maximum peak current x 100 (integer 16 bits unsigned)	0	65535	R	MaxCurrentPeak
24	Active Power (real power) x 10 (integer 16 bits unsigned)	0	65535	R	ActivePower
25	Apparent power x 10 (integer 16 bits unsigned)	0	65535	R	ApparentPower
26	Reactive power x 10 (integer 16 bits unsigned)	0	65535	R	ReactivePower
27	Power factor x 1000 (integer 16 bits signed)	-1000	1000	R	PowerFactor
28	Frequency x 10 (integer 16 bits unsigned)	0	650	R	Frequency
31	Sign of the Reactive power (0 = inductive, 1 = capacitive)	0	1	R	LeadLag
200	Serial number (word high)	0	65535	R	SerialNumber_H
201	Serial number (word low)	0	65535	R	SerialNumber_L
202	Firmware Version	0	999	R	FirmwareVersion

DETAILS ABOUT SOME REGISTERS

REGISTERS 20 TO 28 – MEASUREMENT VALUE IN INTEGER FORMAT

Reports the value of the respective variable input. The value will be multiplied by 10, 100 or 1000 depending on the variable. Example: a value of 217.8 reads as 2178.

REGISTERS 200 AND 201 – SERIAL NUMBER

They keep the serial number of the device. The two registers together form the serial number equipment, i.e., must be treated as a 32-bit number.

REGISTER 202 – FIRMWARE VERSION

States the version of firmware of the device, as shown below:

If the version is "1.00" it will read the value as "100". If the version is "2,04" it will read it as "204".

FLOATING POINT FORMAT

The *DigiRail-VA* uses floating point values of single precision (32 bits) according to the IEEE-754 standard (ANSI / IEEE Standard for Binary Floating-Point Arithmetic).