



Man 5000532

# FTR

## POWER SUPPLY - OPERATING MANUAL

### INTRODUCTION


The FTR power supply is a switching mode power supply to be connected directly to the line providing an isolated output. It is suitable for powering instruments such as 4-20 mA field transmitters.

### SPECIFICATIONS

- **Input Voltage (INPUT):** 100~240 Vac/dc / 50~60 Hz
- **Output Voltage (OUTPUT):** 24 Vdc,  $\pm 2\%$
- **Output Power:** 3 W
- **Input/Output isolation:** 2500 V / 1min.
- **Protection:** IP40
- **Operating environment:** 0 to 55 °C, 20 to 85% RH, non-condensing
- **Installation:** TS32 and TS35 DIN Rail
- **Insulating material:** Polyamide, self-extinguishing to UL94, V-0
- **Connection wire cross section:** 0,14 – 4,0 mm<sup>2</sup>
- **Screw tightening torque:** 0,8 Nm / 7.0 lb-in
- **Terminal block:** CuZn
- **Short-circuit protection.**
- **Indoor use.**

### INSTALLATION

The FTR power supply is designed for DIN rail mounting, inside electrical panel. Avoid excessive vibration, humidity, temperature and electromagnetic interference.



"The ground symbol  $\perp$  can mistakenly be printed on the front of the equipment. However, the associated electrical function is not available."

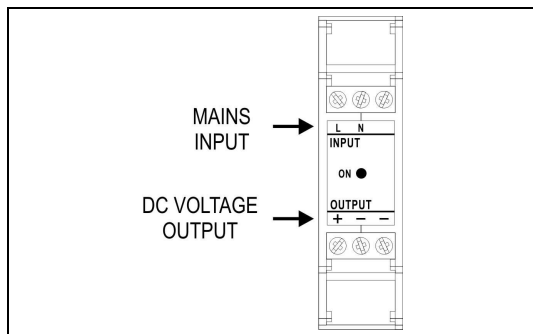


Figure 1 – FTR wiring

### Recommendations for Installation

- Input signal wires should be laid out away from power lines and preferably inside grounded conduits.
- Instrument mains (line) supply should be suitable for this purpose and should not be shared.
- In controlling and monitoring applications, possible consequences of any system failure must be considered in advance. The internal alarm relay does not warrant total protection.
- RC filters (47 R and 100 nF, serial) are highly recommended for valve and contactor coils, etc.

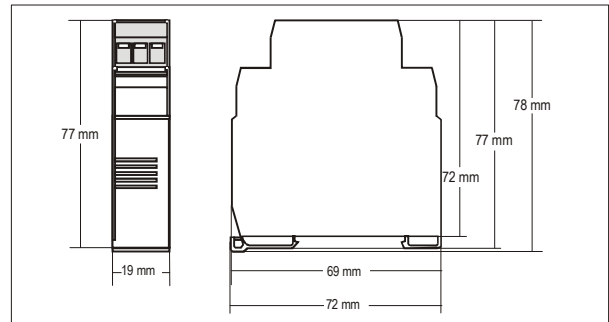


Figure 2 – FTR dimensions

### WARRANTY

This product is covered by a 12-month warranty provided the purchaser presents the sales receipt and the following conditions are met:

- The one year warranty begins on the day of shipment as stated on the sales bill.
- During the warranty period all costs of material and labor will be free of charge provided that the instrument does not show any evidence of misuse.
- For maintenance, return the instrument with a copy of the sales bill to our factory. All transportation and insurance costs should be covered by the owner of the equipment.
- Should any sign of electrical or mechanical shock, abuse, bad handling or misuse be evident the warranty voids and maintenance costs will be charged.

