

INSTALLATION RECOMMENDATIONS

- Electrical signal conductors must be installed away from activation or high voltage or current conductors, preferably passing through grounded conduits.
- A specific electrical power supply network should be provided for instruments use only.
- In controlling and monitoring applications, possible consequences of any system failure must be considered in advance.
- RC filters (47 Ohms and 100 nF, serial) placed in inductor charges (contactors, solenoids, etc.) are recommended.

WARRANTY

NOVUS Automation provides the original purchaser of this instrument a one (1) year warranty against defects in material and workmanship under the following terms:

- The one year warranty begins on the day of shipment as stated on the sales bill.
- During the warranty period all costs of material and labor will be free of charge provided that the instrument does not show any evidence of misuse.
- For maintenance, return the instrument with a copy of the sales bill to our factory. All transportation and insurance costs should be covered by the owner of the equipment.
- Should any sign of electrical or mechanical shock, abuse, bad handling or misuse be evident the warranty voids and maintenance costs will be charged.

NOVUS Automation Inc.

PRESSURE TRANSMITTER MODEL NP-430D



PRESENTATION

The NP-430D series of pressure transmitters have been developed for general industrial applications including refrigeration technology. It can be used with most refrigerant gases and liquids but is NOT compatible with ammonia (NH₃).

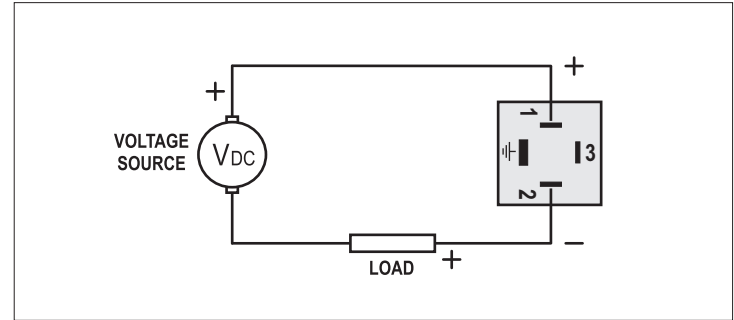
PRECAUTION

Before working with the transmitter, read carefully its specifications and operating instructions. In case of damaging the device (or anything else as a consequence) because of incorrect or mistaken using, warranty becomes inactive. Installation must be done only by specialized professionals.

SPECIFICATIONS

Pressure Range:Refer to laser mark in the body of the transmitter.
Signal output:two-wire 4-20 mA
Power supply (V):12 to 28 Vdc
Load (RL):RL_{max} = (V - 12 V) / 20 mA
Accuracy:better than 1% FS
(including linearity, hysteresis and repeatability)
Long-term stability:0.4 % / FS / year
Over load:150 % FS
Rupture pressure:300% FS
Electrical connection:DIN 175301-803C (mini DiN)
Protection:IP65
Weight:200 g
Ambient Temperature:-40 to 80 °C
Process fluid temperature:-40 to 100 °C
Response time:< 10 ms (0 to 99%)
Process connection:External thread ¼" - 18 NPT (basic model)
Wetted parts:Stainless Steel 1Cr18Ni9Ti, Ceramic Diaphragm (Al₂O₃ - 96%)
Sealing material:Nitrile NBR O'ring
Electromagnetic Compatibility:EN50081-1/-2 and EN50082-2

ELECTRICAL CONNECTIONS



DIMENSIONS

Scale: 1 : 1

